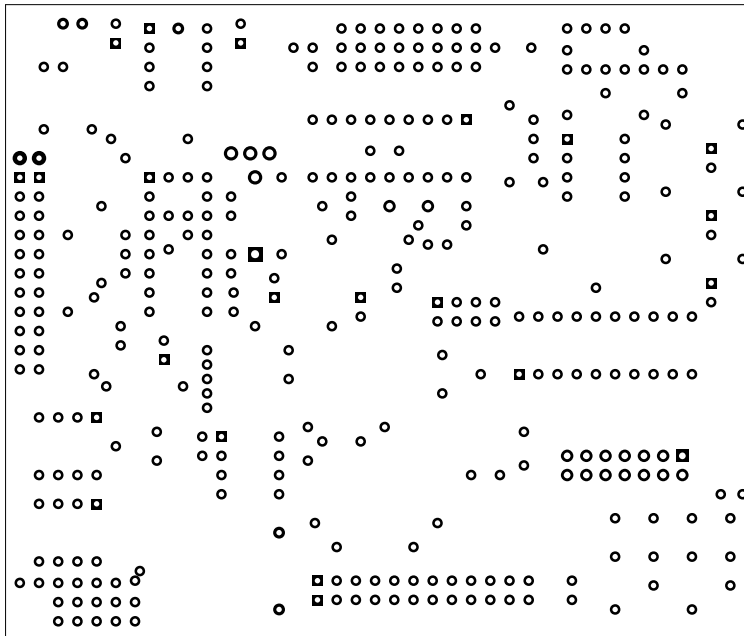
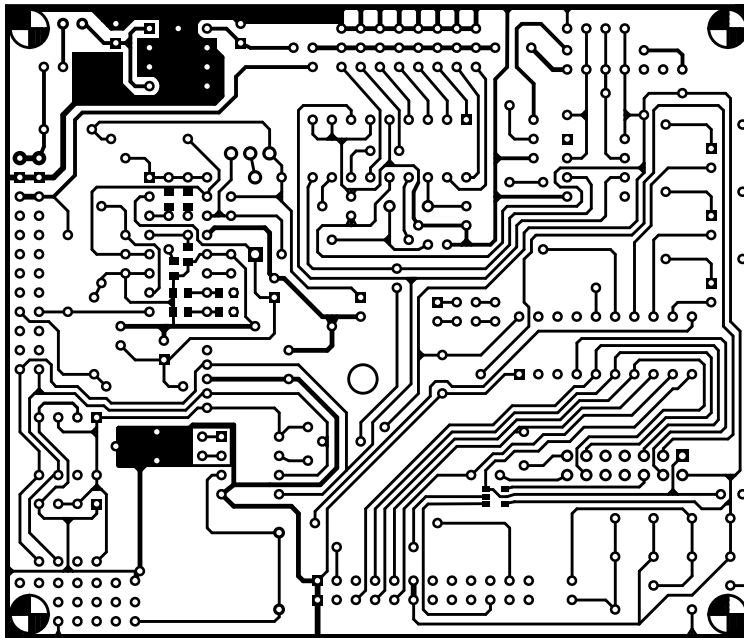
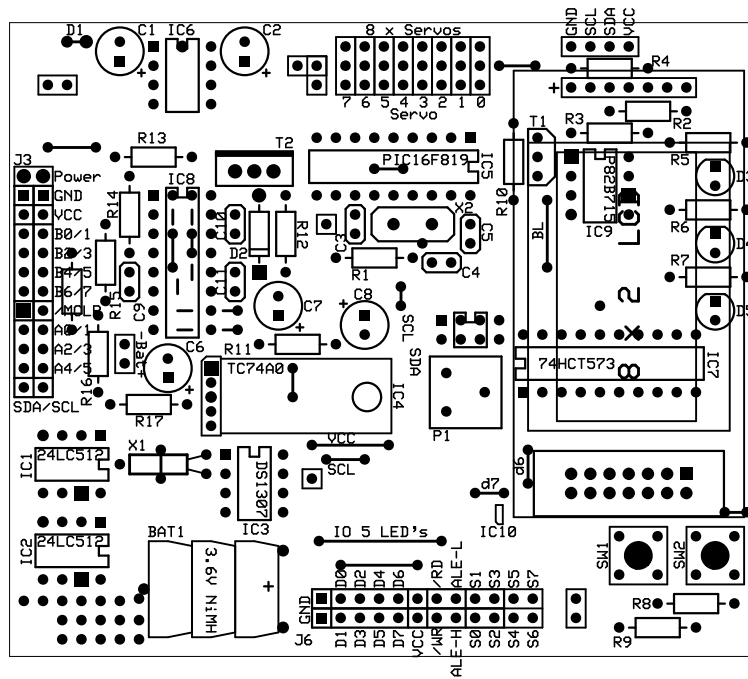
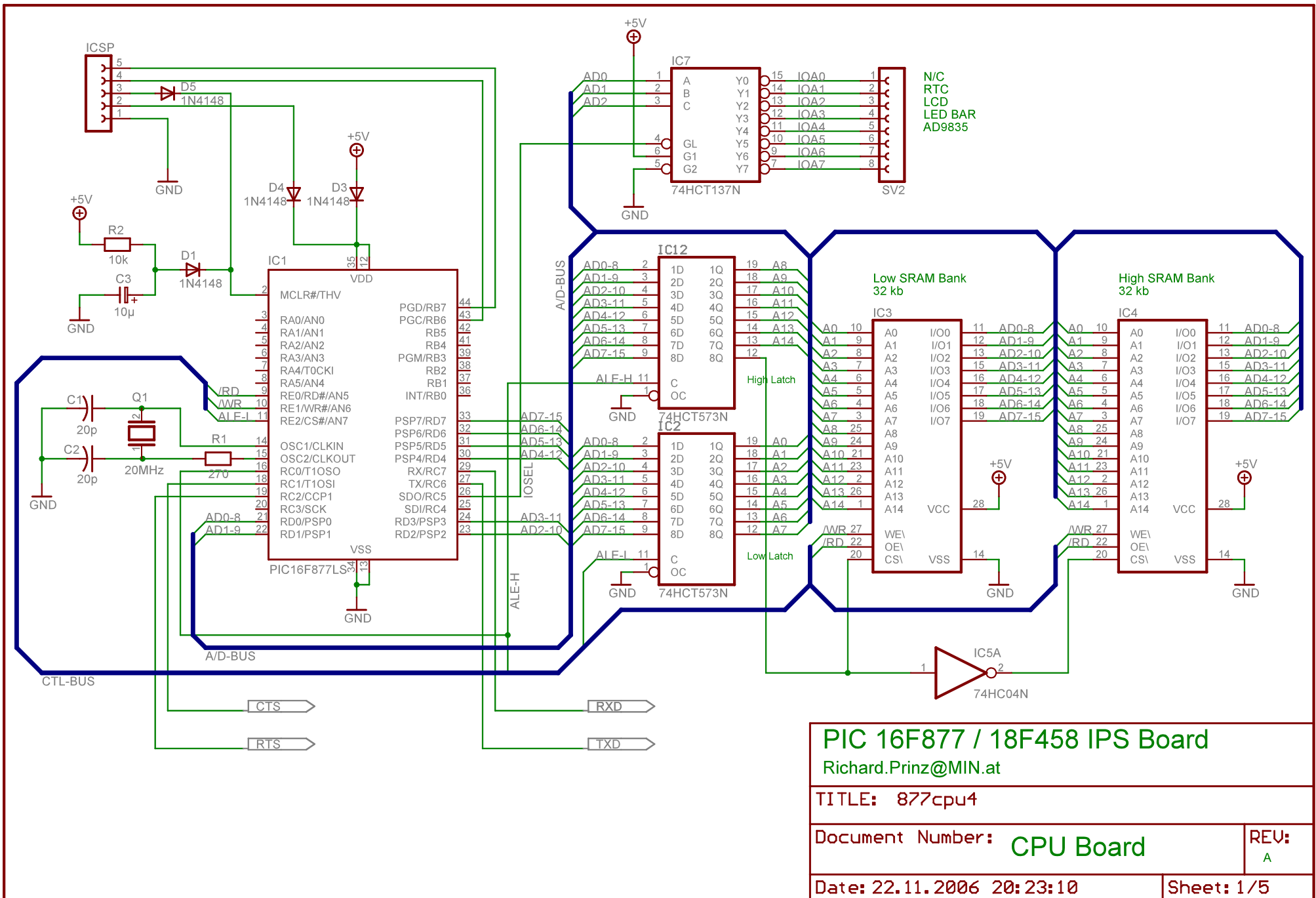


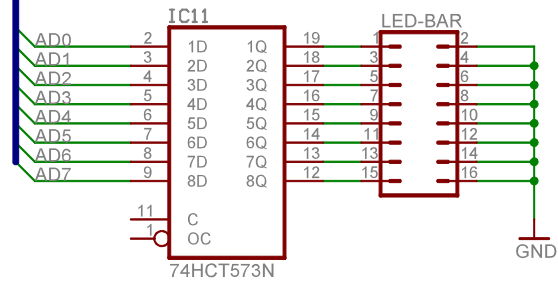
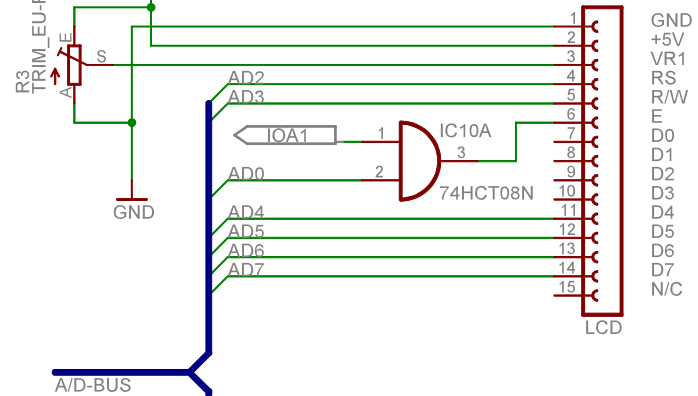
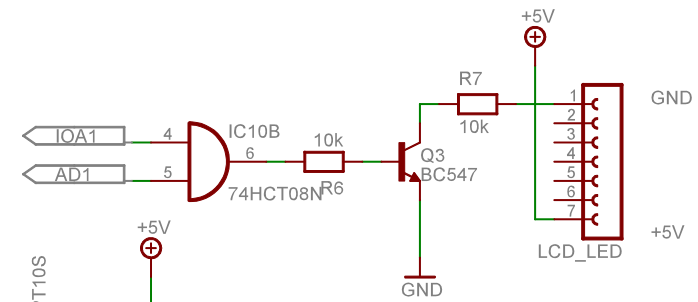
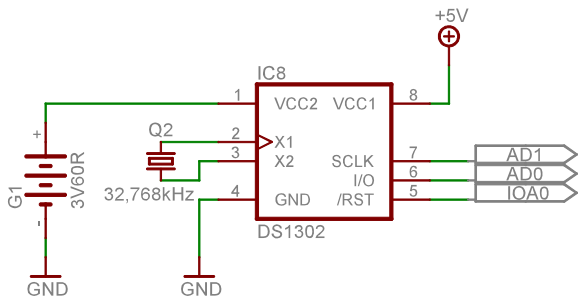
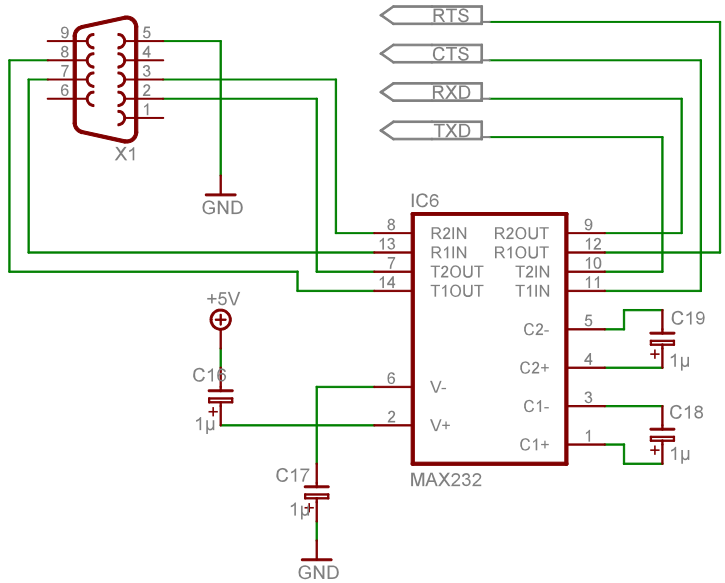
Design Copyright  
 Richard.Prinz@MIN.at 2004  
 OE I RIB  
 All Rights reserved











## PIC 16F877 / 18F458 IPS Board

Richard.Prinz@MIN.at

TITLE: 877cpu4

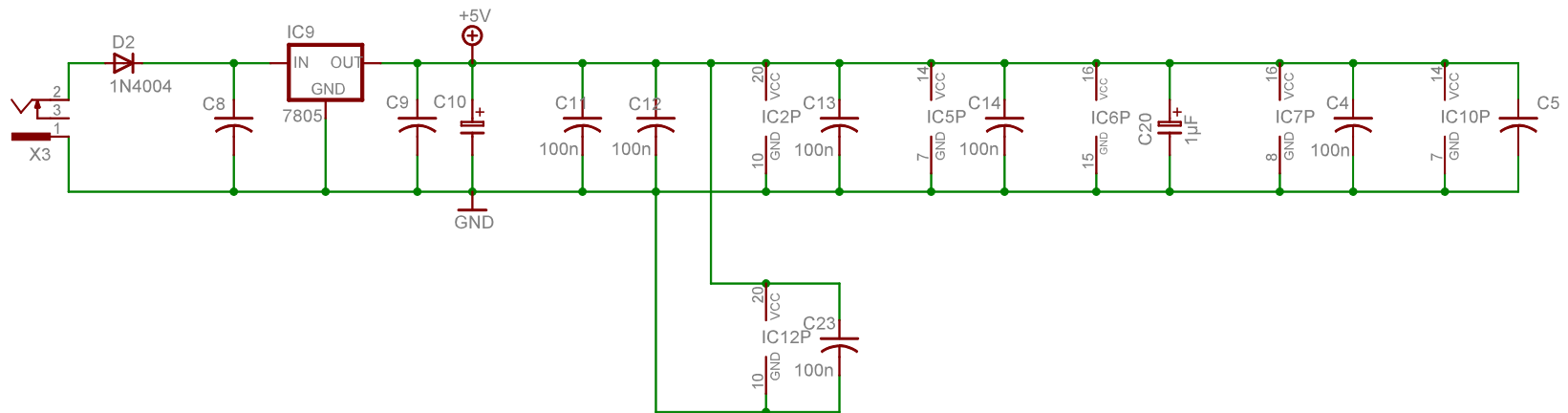
Document Number: **Peripherals 1**

REV:  
A

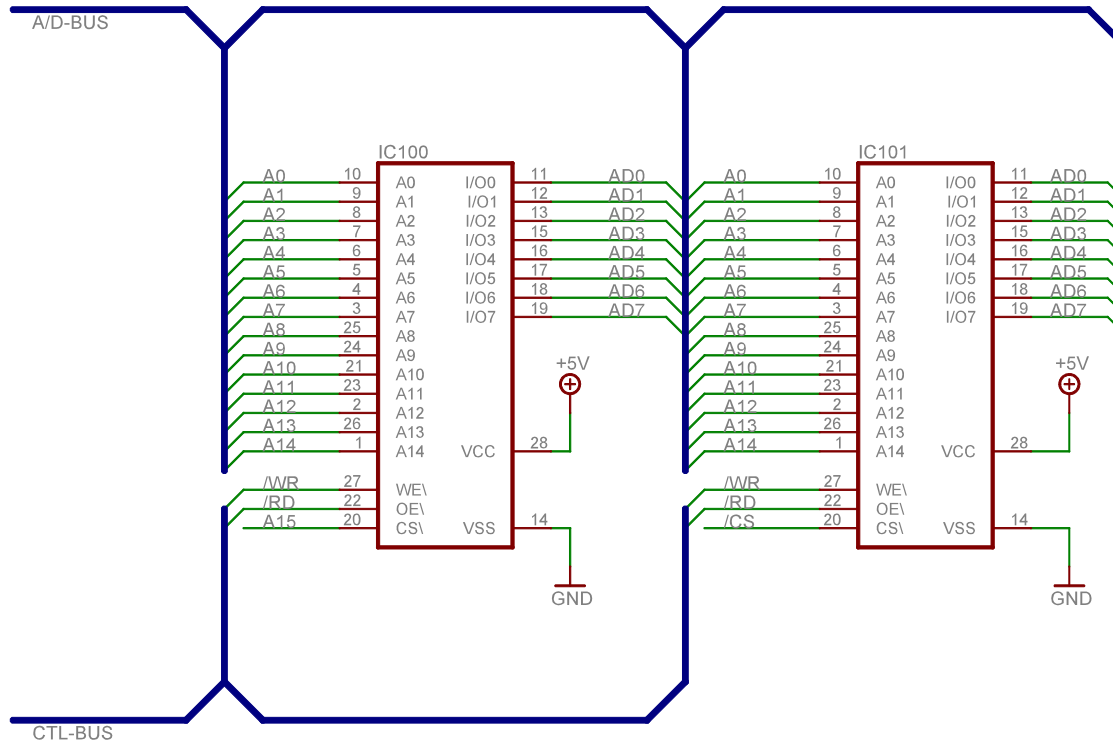
Date: 22.11.2006 20:23:10

Sheet: 2/5

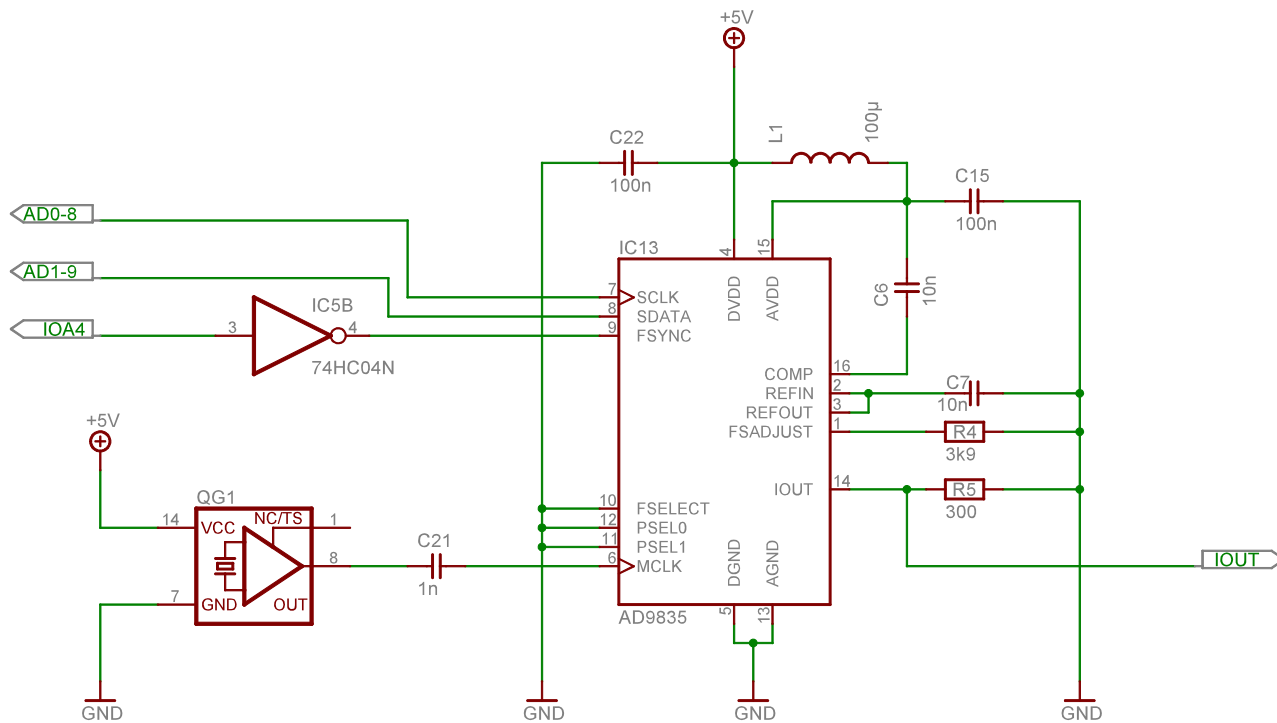




<b>PIC 16F877 / 18F458 IPS Board</b> Richard.Prinz@MIN.at	
TITLE: 877cpu4	
Document Number: <b>Power</b>	REV: A
Date: 22.11.2006 20:23:10	Sheet: 3/5



<b>PIC 16F877 / 18F458 IPS Board</b> Richard.Prinz@MIN.at	
TITLE: 877cpu4	
Document Number: <b>Misc</b>	REV: A
Date: 22.11.2006 20:23:10	Sheet: 4/5



<b>PIC 16F877 / 18F458 IPS Board</b> Richard.Prinz@MIN.at	
TITLE: 877cpu4	
Document Number:	<b>Peripherals 2</b>
Date: 22.11.2006 20:23:10	Sheet: 5/5
REV:	A